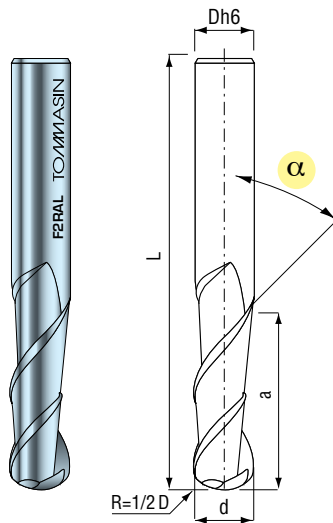


F 2 R A L

art. **0266**



STANDARD

d	D	R	a	L
4	4	2	10	63
6	6	3	12	63
8	8	4	16	80
10	10	5	19	89
12	12	6	22	100
16	16	8	26	100

$\alpha = 45^\circ$

Z = 2

* = ricopertura a richiesta - coating on request

TAB. VEL. pag. 47