

TYPE **TFC/AL**

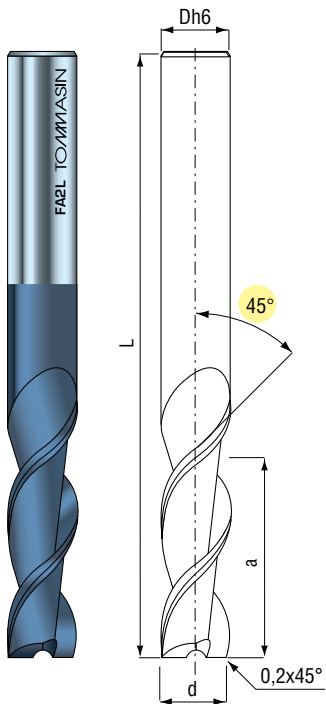
Frese cilindriche elica 45° serie lunga - tagliente al centro
Twist-end milling tools, 45° Long series center cutting

metallo duro Grana Extrafine. < 0,5 μ

Grain Extrafine ordered. < 0,5 μ

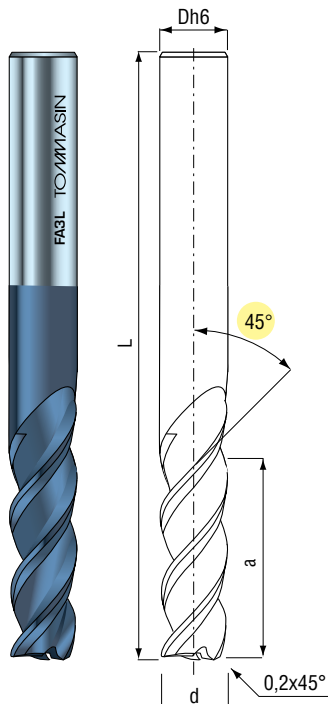
F A 2 L

*art. **0262-Z2**



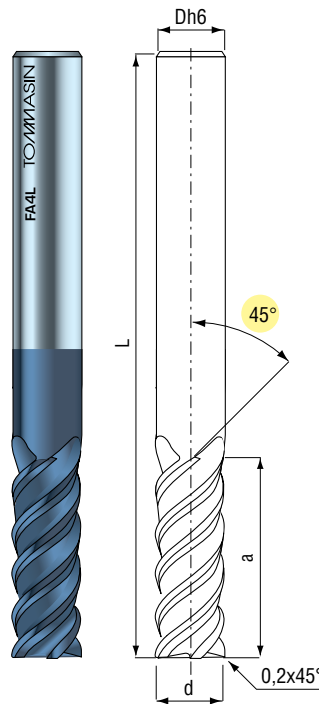
F A 3 L

*art. **0263-Z3**



F A 4 L

*art. **0264-Z4**



STANDARD

d=D	L	a
6,0	70	24
8,0	80	30
10,0	90	32
12,0	100	45
14,0	100	50
16,0	100	50

ricopertura TiAlN
coating TiAlN

* = a richiesta
on request