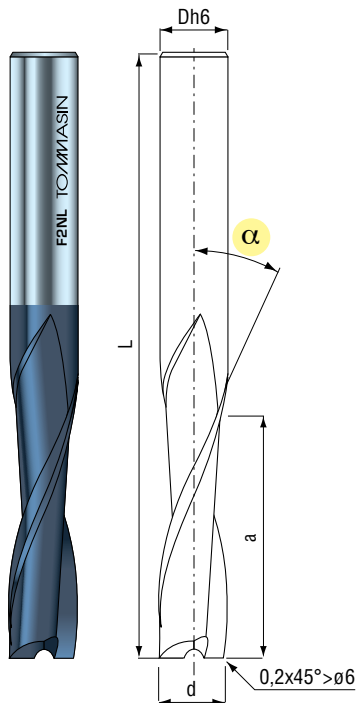
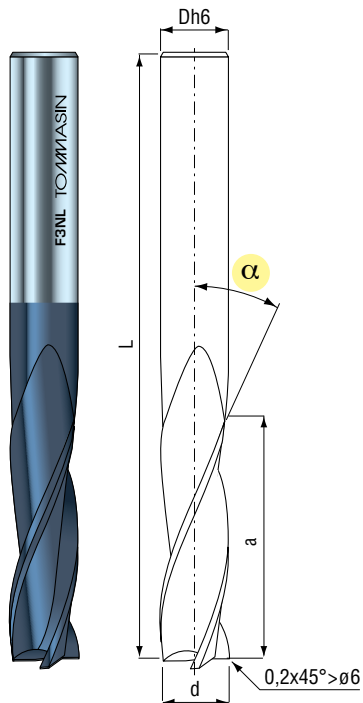
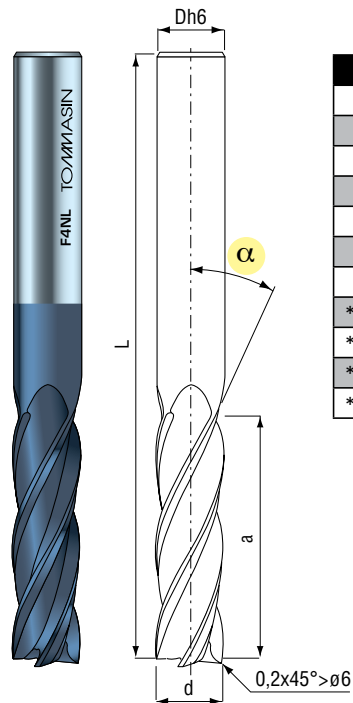


**TYPE TFC/L****Serie lunga tagliente al centro**  
*Long length center cutting*metallo duro Micro Grana  
*tungsten carbide Micro-Grain***F 2 N L**art. **0064-L****F 3 N L**art. **0031-L****F 4 N L**art. **0032-L**

d=D	L	a	α
*3,0	60	20	35°
*4,0	60	20	35°
*5,0	60	20	35°
6,0	65	24	35°
8,0	80	32	35°
10,0	90	32	40°
12,0	100	50	40°
*14,0	100	50	40°
*16,0	110	50	40°
*18,0	110	50	40°
*20,0	110	50	40°

**con ricopertura  
with coating**\* = a richiesta  
on request