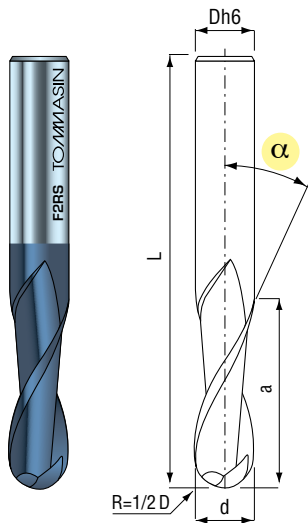


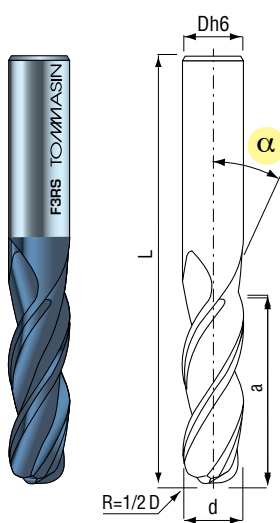
F 2 R S

art. **0021-Z2**



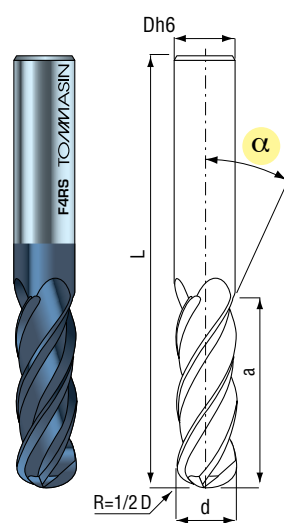
F 3 R S

art. **0021-Z3** (>Ø3)



F 4 R S

art. **0021-Z4** (>Ø3)



con ricopertura
with coating

d=D	*2,0	3,0	4,0	5,0	6,0	8,0	10,0	12,0	14,0	15,0	16,0	18,0	20,0
L	38	38	40	50	54	64	70	75	75	75	82	100	100
a	8	12	12	14	16	20	22	24	27	27	27	32	32
α	30°	30°	30°	30°	30°	30°	35°	35°	35°	35°	35°	35°	35°

* = a richiesta
on request