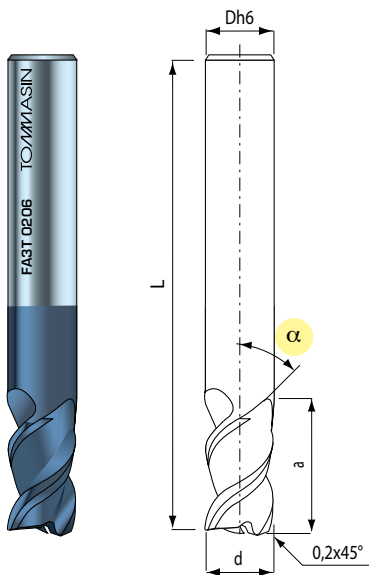


FA3T

art. **0206** - Z3 $\alpha = 55^\circ - 60^\circ$

FA4T

*art. **0207** - Z4 $\alpha = 60^\circ$



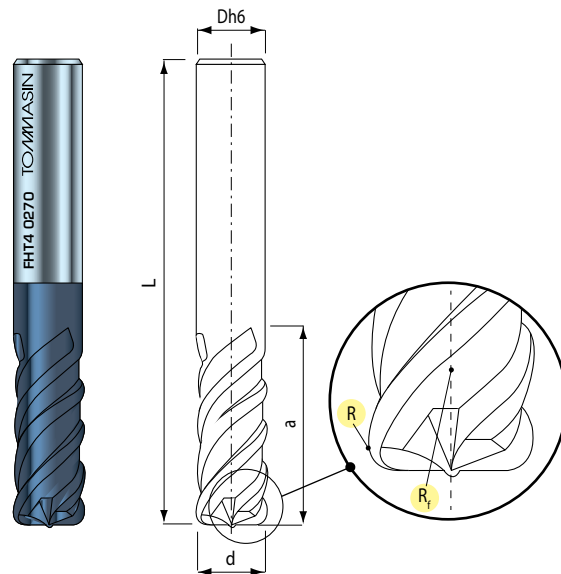
d=D	L	a
4,0	57	8
6,0	60	10
8,0	64	24
10,0	72	26
12,0	83	30
14,0	83	34
16,0	92	40

**ricopertura TiAlN
coating TiAlN**

* = a richiesta - on request

FHT4

art. **0270** - Z4 $\alpha = 50^\circ$



d	D	R _f	R	a	L	Z
3	6	1,5	0,5	11	57	4
4	6	2	0,5	11	57	4
6	6	3	0,5	15	57	4
8	8	4	1,0	20	63	4
10	10	5	1,5	26	72	4
12	12	6	1,5	30	83	4