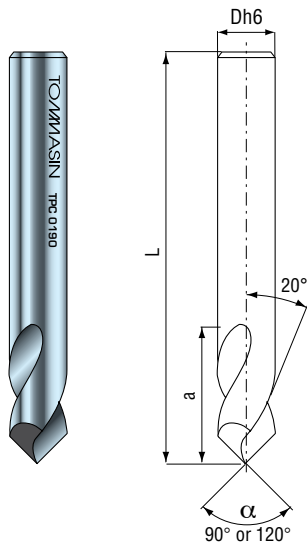


art. **0190**

D=d	L	a
4,0	50	12
5,0	50	14
6,0	60	15
8,0	63	20
10,0	66	23
12,0	73	28