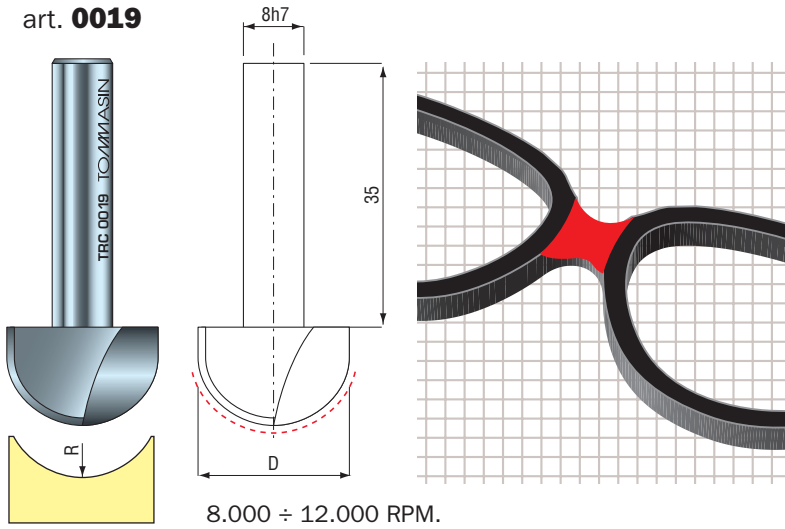


art. **0019**

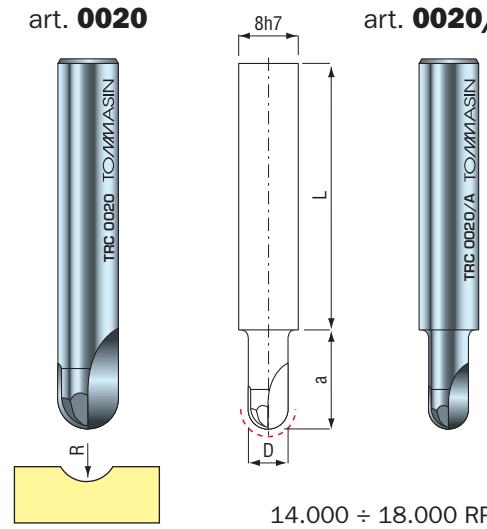


8.000 ÷ 12.000 RPM.

STANDARD

R	5	6	8	9	10	12	14	15
D	10	12	16	18	20	24	28	30

art. **0020**

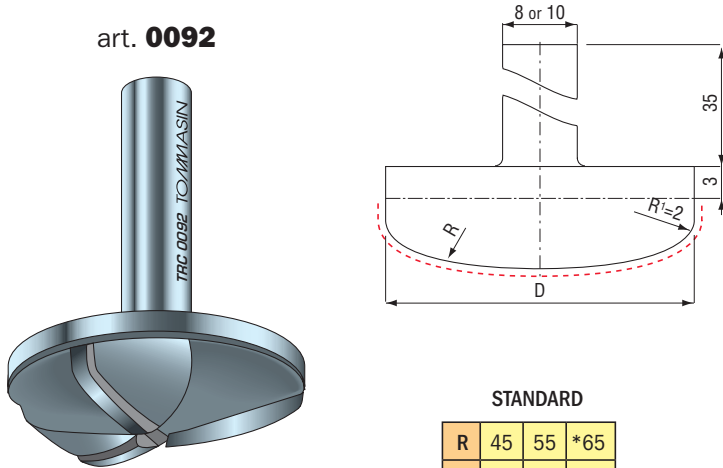


14.000 ÷ 18.000 RPM.

STANDARD

R	1,5	2,0	2,5	3,0	4,0
D	3,0	4,0	5,0	6,0	8,0

art. **0092**

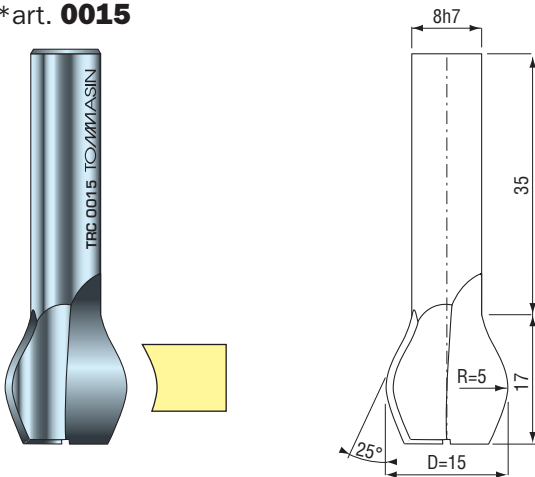


6.000 ÷ 8.000 RPM.

STANDARD

R	45	55	*65
D	35	40	45
Z	3	3	4

\*art. **0015**



8.000 ÷ 10.000 RPM.