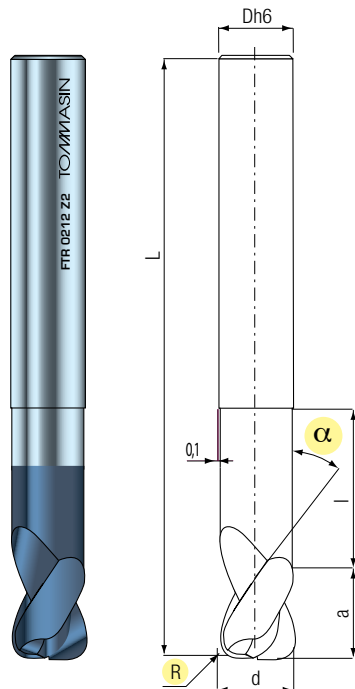
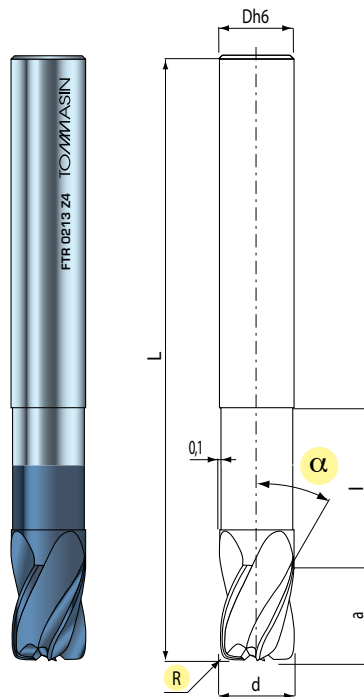


art. **0212-Z2**



art. **0213-Z4**



STANDARD

d=D	R	l	L	a	α
6,0	0,5	15	62	7	30°
6,0	1,0	15	62	7	30°
8,0	0,5	17	65	10	30°
8,0	1,0	17	65	10	30°
8,0	1,5	17	65	10	30°
8,0	2,0	17	65	10	30°
10,0	0,5	21	80	12	35°
10,0	1,0	21	80	12	35°
10,0	1,5	21	80	12	35°
10,0	2,0	21	80	12	35°
12,0	1,0	23	80	15	35°
12,0	1,5	23	80	15	35°
12,0	2,0	23	80	15	35°
14,0	1,5	28	100	18	35°
14,0	2,5	28	100	18	35°
16,0	2,5	28	100	18	35°

**ricopertura TiAlN
coating TiAlN**