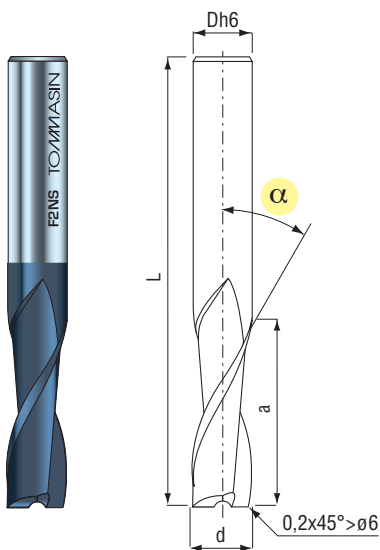


F 2 N S

art. **0064**

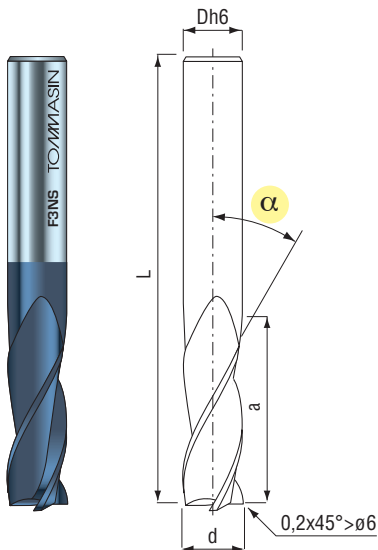
2 eliche, taglienti al centro
2 cutting edges, center cutting



F 3 N S

art. **0031**

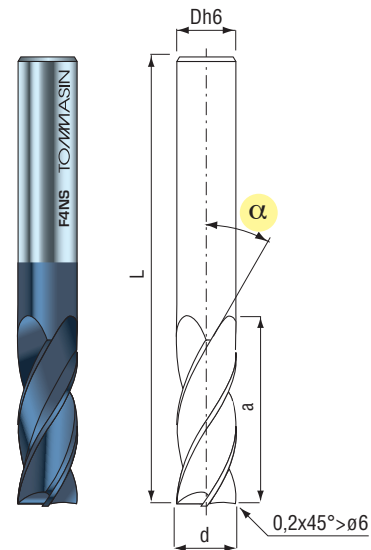
3 eliche, taglienti al centro
3 cutting edges, center cutting



F 4 N S

art. **0032**

4 eliche, taglienti al centro
4 cutting edges, center cutting



**con ricopertura
with coating**

d=D	*2,0	3,0	4,0	5,0	6,0	8,0	10,0	12,0	14,0	15,0	16,0	18,0	20,0
L	38	38	40	50	54	64	70	75	75	75	82	100	100
a	8	12	12	14	16	20	22	24	27	27	27	32	32
α	30°	30°	30°	30°	30°	30°	35°	35°	35°	35°	35°	35°	35°

* = a richiesta
on request